

Tablette (front wall)

Solid rectangular aluminium rods of 20 x 30 mm are fitted with wall brackets and leveling feet and are placed in front of the wall. Round aluminium tubes of diameter 20mm are mounted on those bars, which serve as support for the tablets.

You can slide the tablets forward over the round bars for optimal support of the placed objects. When the tablets are pulled forward, the visible round bars can be used as an extra.

The height of the bars, the quantity, the length and the horizontal distance between the tablets can be freely chosen.

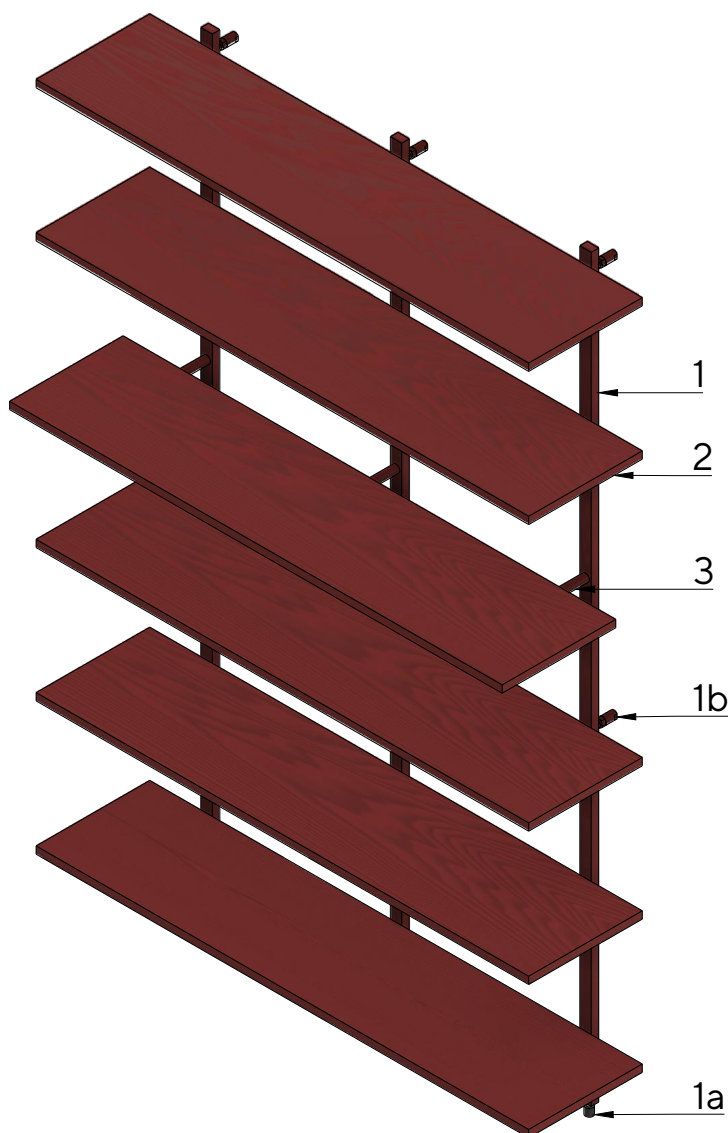
To avoid plate residues, the tablets are assembled. During assembly, the grain direction of the ash veneer in a tablette can change and remains a nice detail after colour coating.,

Retail pricelist okt 2023

Item	Qty	Part name	P.Piece	P.Total
1	3	Rail + 1b,wall bracket + 1a adj feet. (2000 mm L + 2 brackets + 1 feet)	€ 164	€ 491
2	6	Tablette Ash veneer 300 x 1300 mm	€ 104	€ 626
3	18	Tablette support (230 mm L)	€ 11	€ 194

Totaal exclusief, delivery ,installation and VAT € 1312

Totaal inclusief 21% VAT € 1587



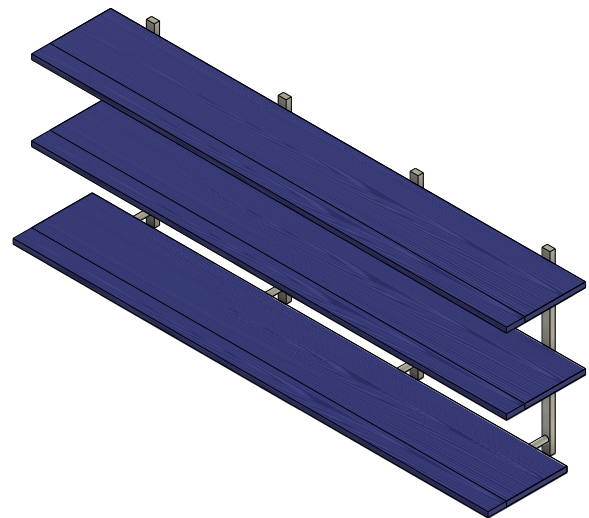
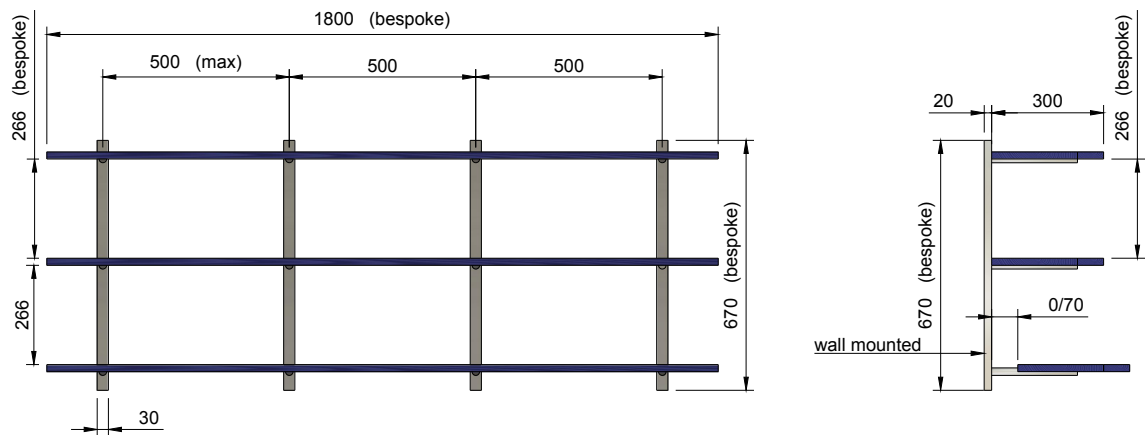
Tablette (front wall)

Solid rectangular aluminium rods of 20 x 30 mm are fitted with wall brackets and leveling feet and are placed in front of the wall. Round aluminium tubes of diameter 20mm are mounted on those bars, which serve as support for the tablets.

You can slide the tablets forward over the round bars for optimal support of the placed objects. When the tablets are pulled forward, the visible round bars can be used as an extra.

The height of the bars, the quantity, the length and the horizontal distance between the tablets can be freely chosen.

To avoid plate residues, the tablets are assembled. During assembly, the grain direction of the ash veneer in a tablette can change and remains a nice detail after colour coating.



Tablette (on wall)

Solid rectangular aluminium rods of 20 x 30 mm are fitted on the wall. Round aluminium tubes of diameter 20mm are mounted on those bars, which serve as support for the tablets.

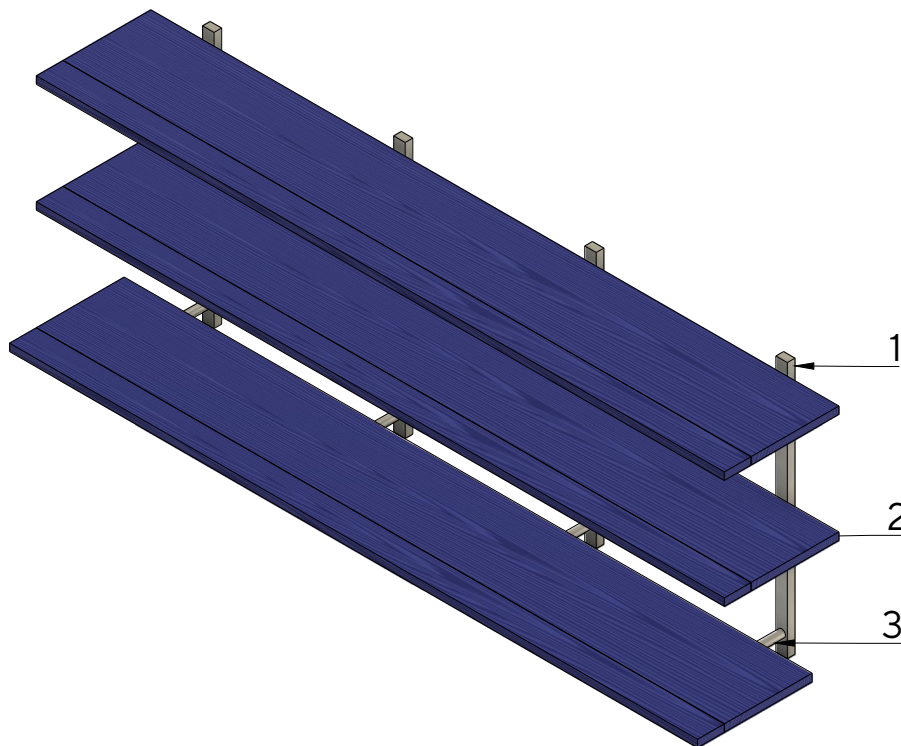
You can slide the tablets forward over the round bars for optimal support of the placed objects. When the tablets are pulled forward, the visible round bars can be used as an extra.

The height of the bars, the quantity, the length and the horizontal distance between the tablets can be freely chosen.

To avoid plate residues, the tablets are assembled. During assembly, the grain direction of the ash veneer in a tablette can change and remains a nice detail after colour coating.

Retail pricelist okt 2023

Item	Qty	Part name	P.Piece	P.Total
1	4	Rail (670 mm L)	€ 59	€ 236
2	3	Tablette Ash veneer 300 x 1800 mm	€ 157	€ 471
3	12	Tablette support (230 mm L)	€ 11	€ 132
			Totaal exclusief, delivery ,installation and VAT	€ 839
			Totaal inclusief 21% VAT	€ 1015



Tablette (on wall)

Solid rectangular aluminium rods of 20 x 30 mm are fitted on the wall. Round aluminium tubes of diameter 20mm are mounted on those bars, which serve as support for the tablets.

You can slide the tablets forward over the round bars for optimal support of the placed objects. When the tablets are pulled forward, the visible round bars can be used as an extra.

The height of the bars, the quantity, the length and the horizontal distance between the tablets can be freely chosen.

To avoid plate residues, the tablets are assembled. During assembly, the grain direction of the ash veneer in a tablette can change and remains a nice detail after colour coating.